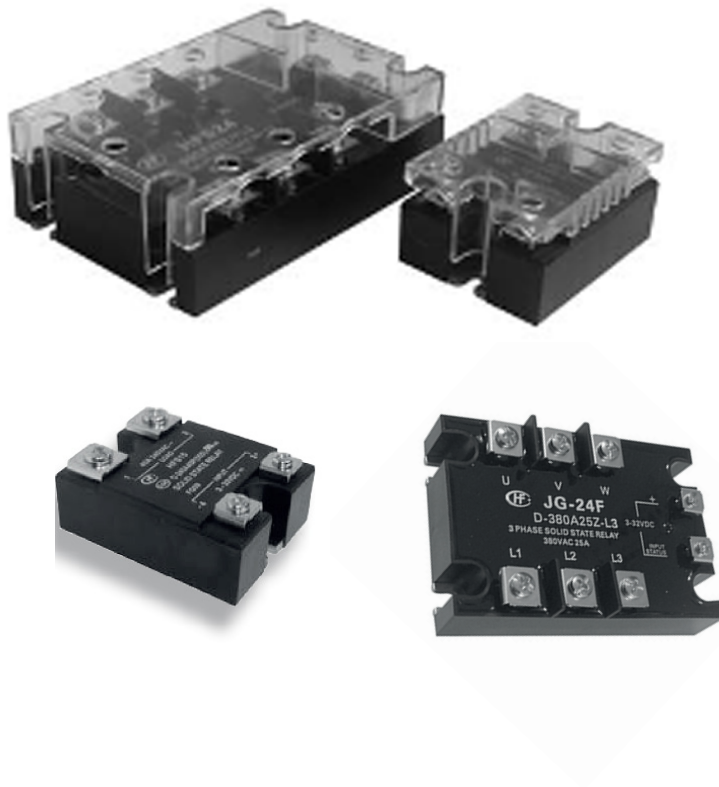


Solid state relay KS15 and KS24



Solid state relay 10 A, 25 A, 40 A
Three-phase solid state relay 25 A, 60 A
Zero cross turn-on

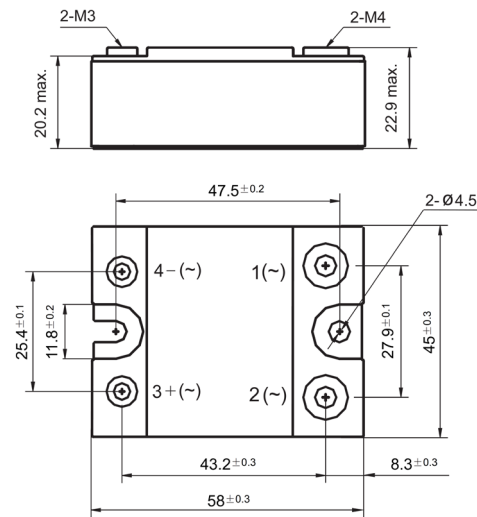
Solid state relay KS15 and KS24

KS15 one-phase SSR Panel Mount-AC Output

Technical specifications:

- Zero cross turn-on
- LED indicator
- Removable protective cover
- Control voltage range 4...32 VDC
- Out put load voltage range 48...280 VAC
- Switching current 10 A, 25 A, 40 A
- Outline dimension with cover: 45 × 58 × 45 mm

Dimensions without cover in mm:

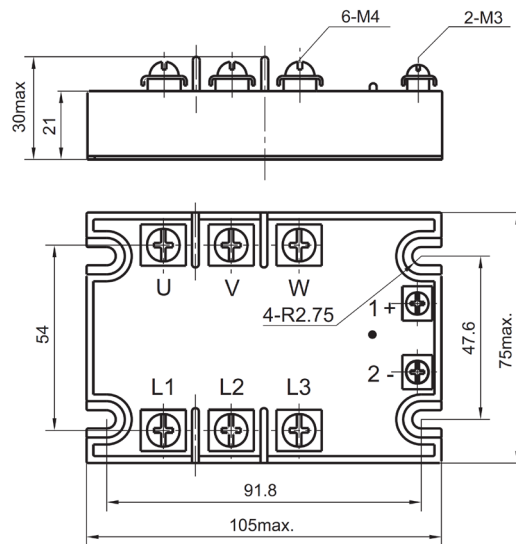


KS24 three-phase SSR Panel Mount-AC Output

Technical specifications:

- Zero cross turn-on
- Including variable resistor
- LED indicator
- Control voltage range 3...32 VDC
- Out put load voltage range 48...400 VAC
- Switching current 25 A, 60 A
- Outline dimension with cover: 75 × 105 × 45 mm

Dimensions without cover in mm:



Solid state relay



Type	Controle voltage VDC	Out put voltage VAC	Switching current A	EUR/pcs
KS15/D-24Z10-L	4...32	48...280	10	10,00
KS15/D-24Z25-L	4...32	48...280	25	14,00
KS15/D-24Z40-L	4...32	48...280	40	15,00
KS15/33/34	Removable protective cover for KS15 products			1,50

Three-phase solid state relay with cover

Type	Controle voltage VDC	Out put voltage VAC	Switching current A	EUR/pcs
KS24/D-38Z25-YL+JG	3...32	48...400	25	40,00
KS24/D-38Z60-YL+JG	3...32	48...400	60	56,30