

Shielding clamps overview



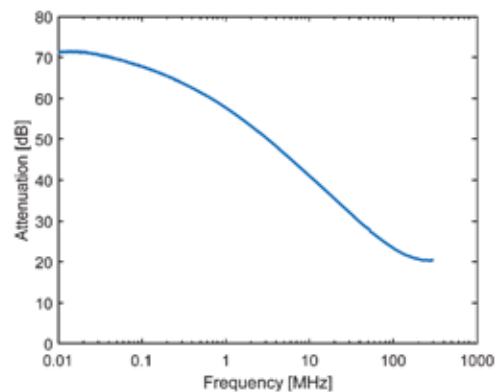
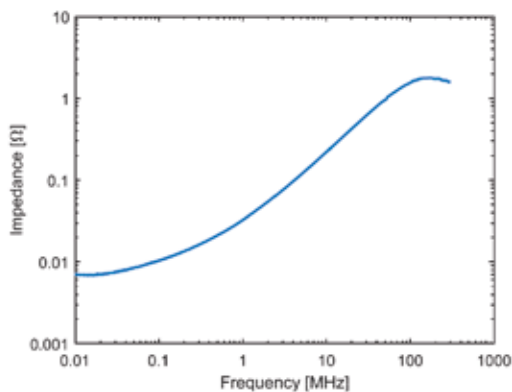
DETASULTRA EMC SHIELDING

Thanks to Detas' long-standing experience in noise suppression technology, in particular solving problems related to conducted and radiated emissions with line filters, we have developed DetasUltra EMC shielding clamps.

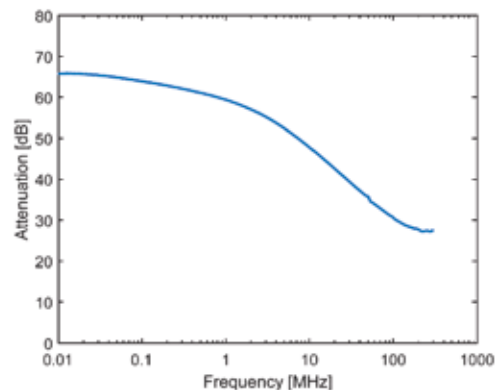
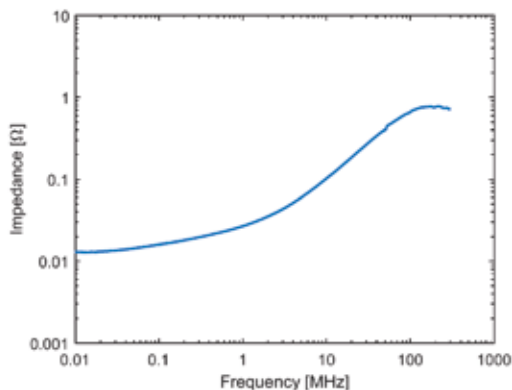
Thanks to the know-how achieved, we are able to guarantee efficient solutions for grounding the cable shield in any industrial application. DETASULTRA shielding clamps are characterized by low impedance even for high frequency EMI disturbances (>300MHz).

In the graphics in figures 1/2/3 you can observe how the impedance of the clamp in three different installation modes remains very low even when the disturbance frequency varies, providing a high level of attenuation.

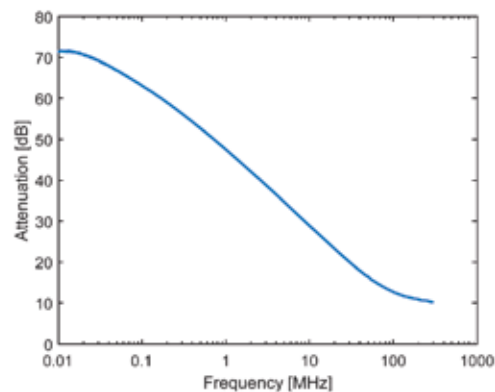
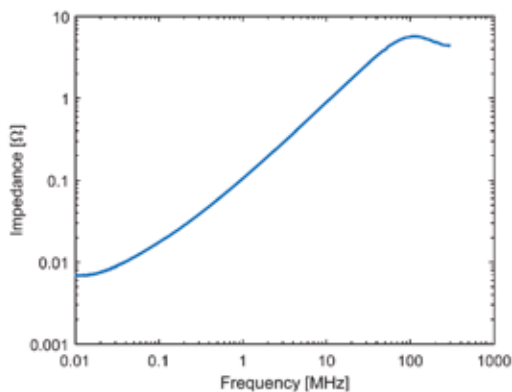
1 - SHIELD CLAMP WITH SCREW FIXING



2 - SHIELD CLAMP FOR DIN-RAILS



3 - SHIELD CLAMP FOR 3X10MM BAR



SHIELDING CLAMPS OVERVIEW

DIN RAIL SHIELDING CLAMPS

MODEL	MSD	MSD2	MSP	MSPC	MSG	MSFD
CLAMPING RANGE (mm)	22 - 74	1,5 - 22	1,5 - 6	3 - 10	1,5 - 9	3 - 32
PAGE	134	133	135	135	132	145

BUSBAR 3X10 SHIELDING CLAMPS

MODEL	MSB	MSBS	MSR	MSRP	MSRC	MSH	MSFC
CLAMPING RANGE (mm)	1,5 - 22	1,5 - 22	1,5 - 22	1,5 - 9	3 - 10	2 - 35	2 - 32
PAGE	137	136	138	139	139	140	146

SCREW FIXING SHIELDING CLAMPS

MODEL	MSF	MSS	MSS2	MSS3	MSL	MSA	MSAS
CLAMPING RANGE (mm)	2 - 32	30 - 74	1,5 - 30	1,5 - 11	3 - 19	1,5 - 30	1,5 - 22
PAGE	145	122	121	123	124	128	126

MODEL	MSAD	MSE	MSEA	MSES	MSM
CLAMPING RANGE (mm)	3 - 20	1,5 - 30	3 - 12	1,5 - 22	1,5 - 12
PAGE	127	130	131	129	125

C BAR SHIELDING CLAMPS

MODEL	MST	MSFE
CLAMPING RANGE (mm)	6 - 42	3 - 32
PAGE	143	146

PRINTED CIRCUIT BOARD SHIELDING CLAMPS

MODEL	MSC
CLAMPING RANGE (mm)	1,5 - 9
PAGE	147

MULTIPLE SHIELDING CLAMPS

MODEL	MSU
CLAMPING RANGE (mm)	1,5 - 12
PAGE	144

FOR I/O MODULES

MODEL	MSK	MSK2	MSY	MSY2
CLAMPING RANGE (mm)	1,5 - 9	1,5 - 9	1,5 - 9	1,5 - 9
PAGE	141	141	142	142

OTHER

MODEL	MB	EMCS	EMCZ	BROSF
CLAMPING RANGE (mm)	-	-	-	1,5 - 6
PAGE	153	149	151 - 152	150



Shielding clamps without base

FEATURES

- Suitable for a cable diameter range from 1,5 to 30 mm
- Ideal adherence to cable shielding
- **Increased wing length for easier cable insertion**
- Constant pressure on the cable braid without having to run tests and checks
- High vibration resistance



The MSS2 shielding clamps enable the cable shield to be grounded easily and effectively. The MSS2 shielding clamps can be fixed with screws or rivets.

Material: spring steel, zinc plated

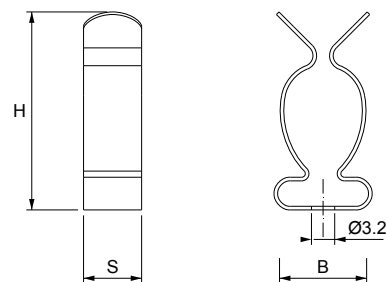
RELATED PRODUCTS

- MB DIN rail bases (page 152)

Model	Code	Clamping range (mm)	Dimensions (mm)			Pcs (/pack)
			B	H	S	
MSS2 1.5-3	1734010210	1,5 - 3	11	13,5	8	50
MSS2 3-6	1734010220	3 - 6	11	16	8	50
MSS2 7-9	1734010230	7 - 9	11	18,5	8	50
MSS2 9-12	1734010240	9 - 12	12	22	8	50
MSS2 11-17	1734010250	11 - 17	13,5	27	8	50
MSS2 18-22	1734010260	18 - 22	22	36,5	8	50
MSS2 22-30	1734010270	22 - 30	22	43	12	50



Dimensions (mm)





FEATURES

- Suitable for a wide range of cable diameter from 30 to 74 mm
- Ideal adherence to cable shielding
- Possibility to mount the springs easily, no need to use tools
- Constant pressure on the cable braid without having to run tests and checks
- High vibration resistance, maintenance free



The MSS shielding clamps enable the cable shield to be grounded easily and effectively. The MSS shielding clamps can be fixed with screws or rivets.

Material: spring steel, zinc plated

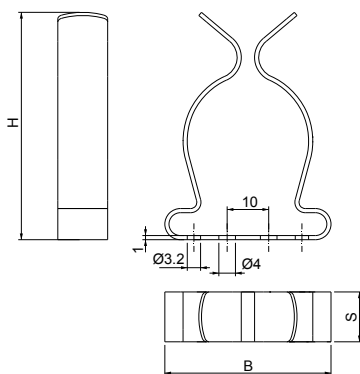
RELATED PRODUCTS

- MB DIN rail bases (page 152)

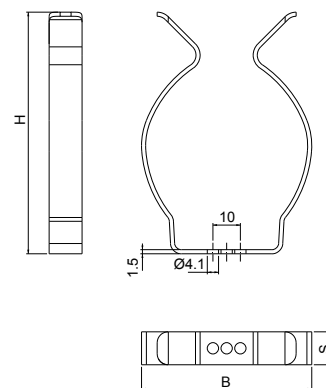
Model	Code	Clamping range (mm)	Dimensions (mm)			Pcs (/pack)
			B	H	S	
MSS 30-37	1734010080	30 - 37	40	55	12	10
MSS 38-48	1734010090	38 - 48	40	64	12	
MSS 50-60	1734010095	50 - 60	50	74,5	12	
MSS 62-74	1734010100	62 - 74	62	88	12	

Dimensions (mm)

MSS 30-37 / MSS 38/48



MSS 50-60 / MSS 62-74





Shielding clamps without base

FEATURES

- Suitable for a cable diameter range from 1,5 to 11 mm
- Side by side mounting possible
- Ideal contact to cable shielding
- Easy cable insertion
- One-hand cable insertion
- High vibration resistance



The MSS3 shielding clamps enable the cable shield to be grounded easily and effectively. Thanks to the particular design, they allow an easy cable insertion by leveraging on the longer side. They also guarantee maximum space saving and they allow side-by-side mounting even with one hand only.

Material: spring steel, zinc plated

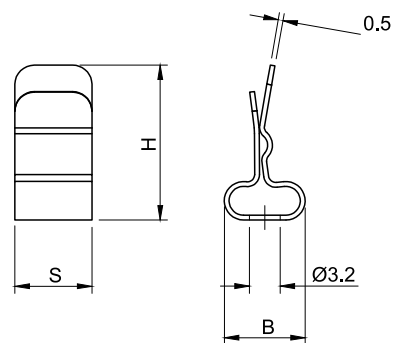
RELATED PRODUCTS

- MB DIN rail bases (page 152)

Model	Code	Clamping range (mm)	Dimensions (mm)			Pcs (/pack)
			B	H	S	
MSS3 1,5-3	1734010280	1,5 - 3	8,4	16,1	8	50
MSS3 3-7	1734010281	3 - 7	8,4	21,9	8	
MSS3 6-10	1734010285	6 - 10	8,5	24,7	8	
MSS3 3-11	1734010290	3 - 11	13	19,8	8	



Dimensions (mm)





FEATURES

- Suitable for a cable diameter range from 3 to 19 mm
- Snap-in assembly, no need to use tools
- Ideal adherence to cable shielding
- Constant pressure on the cable braid without having to run tests and checks
- High vibration resistance, maintenance free



The MSL shield clamps enable the cable shield to be grounded easily and effectively. The MSL shielding clamps can be fixed with screws or rivets.

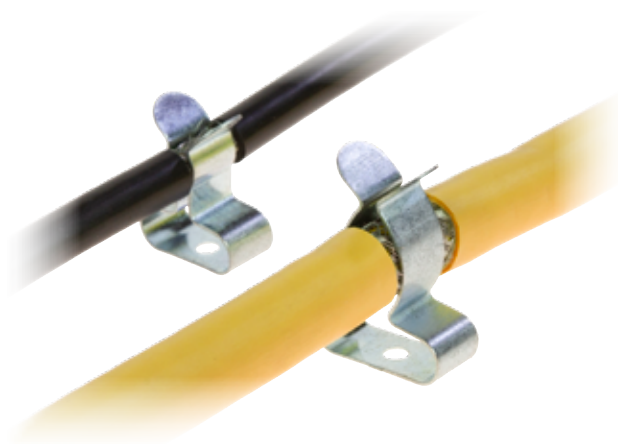
Material: spring steel, zinc plated

RELATED PRODUCTS

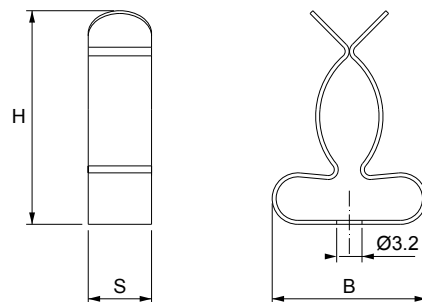
- MB DIN rail bases (page 152)

Model	Code	Clamping range (mm)	Dimensions (mm)			Pcs (/pack)
			B	H	S	
MSL 3-9	1734010310	3 - 9	16,5	20,6	8	50
MSL 3-12	1734010330	3 - 12	16	15,9	8	
MSL 10-19	1734010320	10 - 19	19,5	27	8	

NEW



Dimensions (mm)





Screw fixing shielding clamps

FEATURES

- Suitable for a cable diameter range from 1,5 to 12 mm
- Particularly indicated in small places
- Screw fixing hole M4
- Constant pressure on the cable braid

The MSM and MSML shielding clamps enable the cable shield to be grounded easily and effectively.

The shielding clamp can be fixed with a M4 screw or rivet.

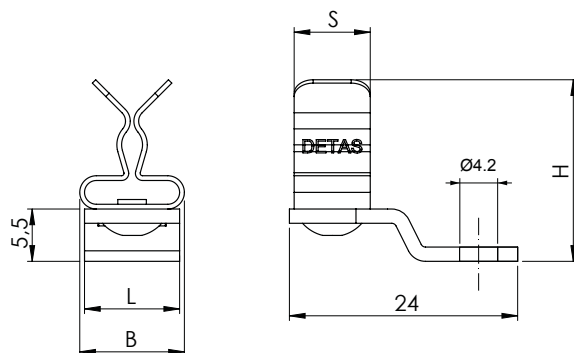
Material: spring steel, zinc plated



Model	Code	Clamping range (mm)	Dimensions (mm)				Pcs (/pack)
			L	B	H	S	
MSM 1.5-3	1734030110	1,5 - 3	10	11	19	11	50
MSM 3-6	1734030120	3 - 6	10	11	21,5	11	
MSM 7-9	1734030130	7 - 9	10	11	24	11	
MSM 9-12	1734030140	9 - 12	10	12	27,5	12	
MSML 3-9	1734030180	3 - 9	10	16,5	22	8	



Dimensions (mm)





MSAS

Screw fixing shielding clamps

FEATURES

NEW

- Suitable for a cable diameter range from 1,5 to 22 mm
- Shield grounding and strain relief in the same device
- Screw fixing hole M4*
- Very compact design
- One-hand cable insertion for some models



The MSAS shielding clamps enable the cable shield to be grounded easily and effectively. They secure the strain relief function with one or two cable ties. The shielding clamp can be fixed with a M4 screw.

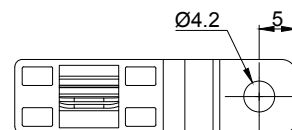
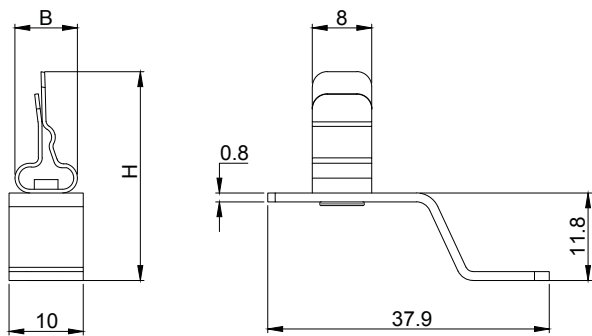
Material: spring steel, zinc plated

*Other fixing holes on request

Model	Code	Clamping range (mm)	Dimensions (mm)		Pcs (/pack)
			B	H	
MSAS 1.5-3	1734029800	1,5 - 3	8,4	28,1	50
MSAS 3-6	1734029810	3 - 6	11	27,9	
MSAS 6-10	1734029820	6 - 10	8,6	36,6	
MSAS 9-12	1734029830	9 - 12	12	33,5	
MSAS 11-17	1734029840	11 - 17	14	39,1	
MSAS 18-22	1734029850	18 - 22	22	48,3	



Dimensions (mm)





Screw fixing shielding clamps

FEATURES

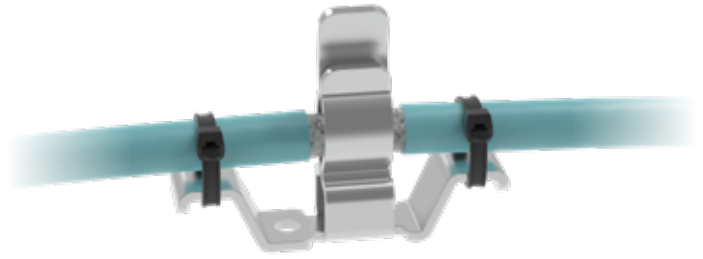
NEW

- Suitable for a cable diameter range from 3 to 20 mm
- Shield grounding and strain relief in the same device
- Very compact size, side-by-side mounting
- Screw fixing hole M4*
- Strain relief with 2 cable ties
- Cost-effective solution
- One-handed cable insertion

MSAD series shielding clamps are an innovative solution to ground cable shields. They are manufactured from a single mold and thus avoiding to use rivets. This feature brings to significant cost savings and increased clamp's lifespan. Another important advantage is the width of the shielding clamp, which allows side-by-side mounting with considerable space savings. In addition, the clamp, once riveted, remains aligned with the panel base and thus allows much faster insertion of the cable, which can be done with only one hand.

Material: spring steel, zinc plated

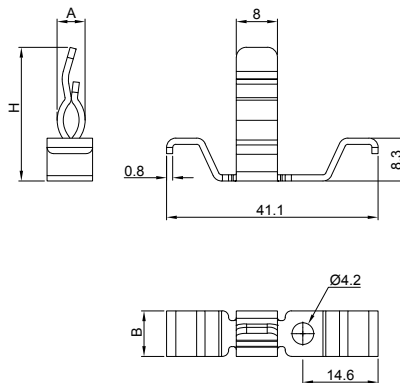
*Other fixing holes on request



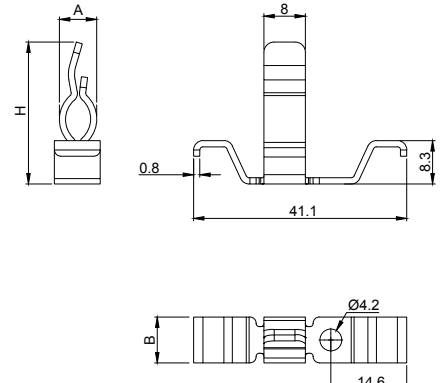
Model	Code	Clamping range (mm)	Dimensions (mm)			Pcs (/pack)
			A	B	H	
MSAD 3-7	1734030193	3 - 7	5,4	8,9	26	50
MSAD 6-10	1734030195	6 - 10	7,2	8,9	27,4	
MSAD 10-20	1734030200	10 - 20	20,2	10,7	28,6	

Dimensions (mm)

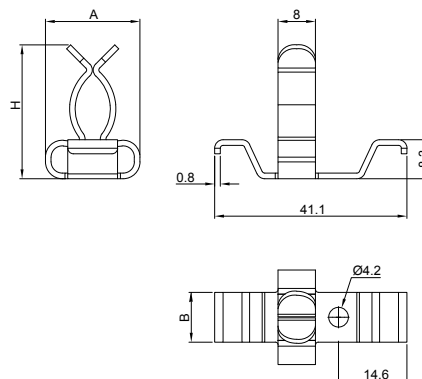
MSAD 3-7



MSAD 6-10



MSAD 10-20





FEATURES

- Suitable for a wide range of cable diameter from 1,5 to 30 mm
- Shield grounding and strain relief in the same device
- Double cable tie
- Snap-in assembly, no need to use tools
- Constant pressure on the cable braid without having to run tests and checks
- Screw fixing hole M4*



The MSA shielding clamps enable the cable shield to be grounded easily and effectively. They secure additional strain relief with two cable ties. The shielding clamp can be fixed with a M4 screw.
The strain relief function complies with EN 62444 standard.

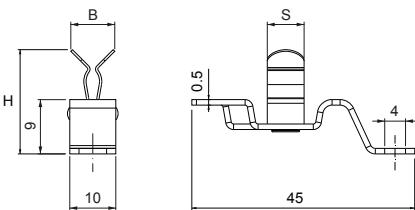
Material: spring steel, zinc plated

*Other fixing holes on request

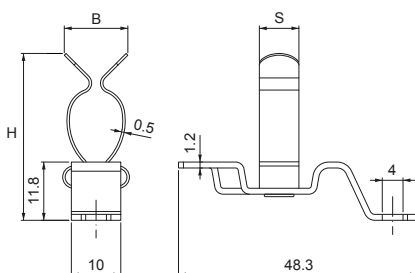
Model	Code	Clamping range (mm)	Thickness (mm)	Dimensions (mm)			Pcs x conf.
				B	H	S	
MSA 1.5-3	1734030010	1,5 - 3	0,5	11	17	8	50
MSA 3-6	1734030020	3 - 6	0,5	11	20	8	
MSA 7-9	1734030030	7 - 9	1,2	11	25	8	
MSA 9-12	1734030040	9 - 12	1,2	13,5	34	8	
MSA 11-17	1734030050	11 - 17	1,2	12	31	8	
MSA 18-22	1734030060	18 - 22	1,2	22	43	8	
MSA 22-30	1734030070	22 - 30	1,2	22,5	50	12	
MSAL 3-9	1734030080	3 - 9	1,2	16,5	27	8	
MSAL 10-19	1734030090	10 - 19	1,2	19,5	30,5	8	

Dimensions (mm)

Thickness 0.5 version



Thickness 1,2 version



Product not available in Germany





Screw fixing shielding clamps

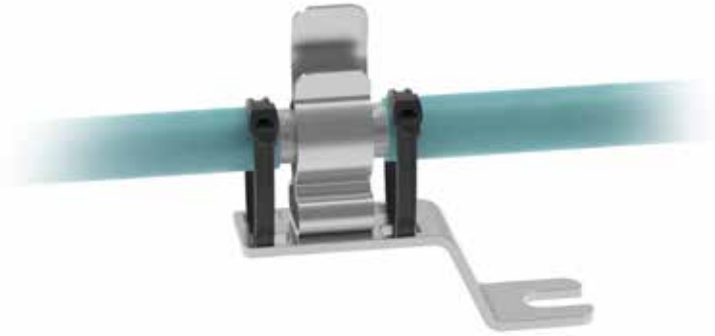
FEATURES

NEW

- Suitable for a cable diameter range from 1,5 to 22 mm
- Shield grounding and strain relief functions with a single device
- Double cable tie
- Snap-in assembly, no need to use tools
- Very compact design

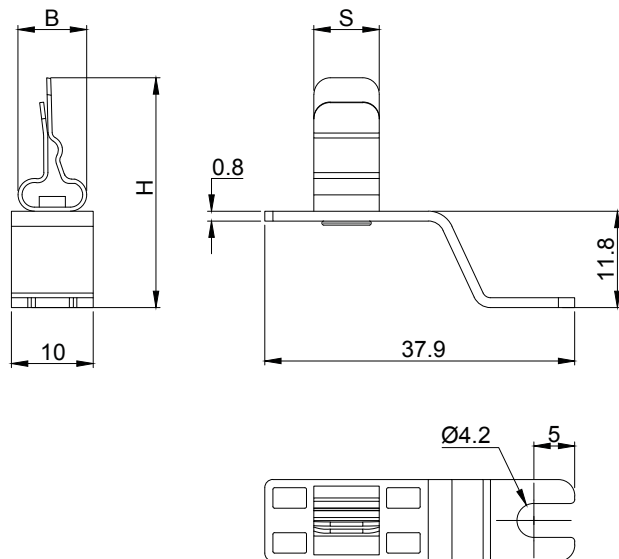
The MSES shielding clamps enable the cable shield to be grounded easily and effectively. They secure the strain relief function with one or two cable ties. The shielding clamp can be fixed with a M4 screw.

Material: spring steel, zinc plated



Model	Code	Clamping range (mm)	Dimensions (mm)		Pcs (/pack)
			B	H	
MSES 1.5-3	1734050100	1,5 - 3	8,4	28,1	50
MSES 3-6	1734050105	3 - 6	11	27,9	
MSES 6-10	1734050110	6 - 10	8,6	36,6	
MSES 11-17	1734050120	11 - 17	14	39,1	
MSES 18-22	1734050125	18 - 22	22	48,3	

Dimensions (mm)





MSE

Screw fixing shielding clamps

FEATURES

- Suitable for a cable diameter range from 1,5 to 30 mm
- Shield grounding and strain relief functions with a single device
- Double cable tie
- Snap-in assembly, no need to use tools
- Constant pressure on the cable braid without having to run tests and checks

The MSE shielding clamps enable the cable shield to be grounded easily and effectively. They secure additional strain relief with two cable ties. The shielding clamp can be fixed with a M4 screw.

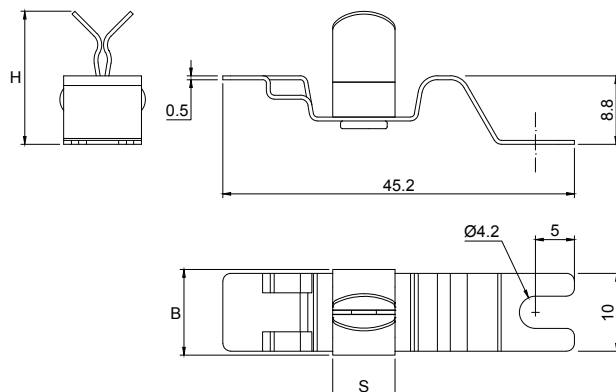
Material: spring steel, zinc plated



Model	Code	Clamping range (mm)	Dimensions (mm)			Pcs (/pack)
			B	H	S	
MSE 1.5-3	1734050010	1,5 - 3	11	17,1	8	50
MSE 3-6	1734050020	3 - 6	11	19,7	8	
MSE 7-9	1734050030	7 - 9	11	22	8	
MSE 9-12	1734050040	9 - 12	12	25,2	8	
MSE 11-17	1734050050	11 - 17	13,5	30,8	8	
MSE 18-22	1734050060	18-22	22	40	8	
MSE 22-30	1734050070	22-30	22,5	46,9	12	
MSEL 3-12	1734050080	3 - 12	16,5	19,2	8	
MSEL 10-19	1734050090	10 - 19	19,5	30,5	8	

Product not available in Germany

Dimensions (mm)





Screw fixing shielding clamps

FEATURES

NEW

- Suitable for a cable diameter range from 3 to 12 mm
- Shield grounding and strain relief functions with a single device
- Double cable tie
- Snap-in assembly, no need to use tools
- Constant pressure on the cable braid without having to run tests and checks



The MSEA shielding clamps enable the cable shield to be grounded easily and effectively. They secure additional strain relief with one or two cable ties. The shielding clamp can be fixed with a M4 screw.

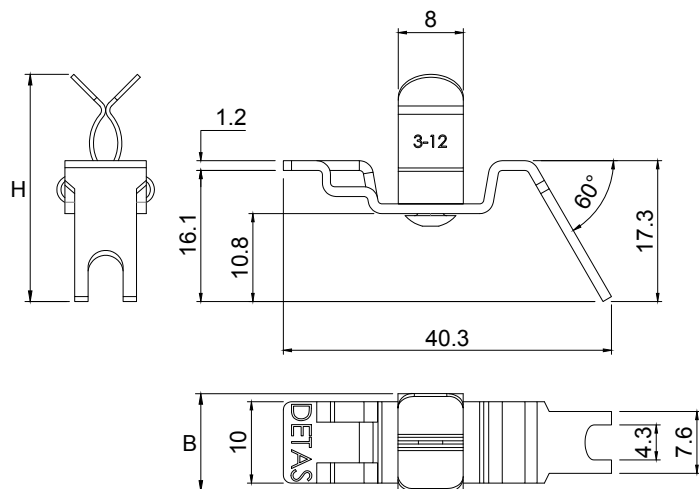
Material: spring steel, zinc plated

Model	Code	Clamping range (mm)	Dimensions (mm)		Pcs (/pack)
			B	H	
MSEA 3-6	1734050130	3 - 6	11	28	50
MSEA 7-9	1734050135	7 - 9	11	31	
MSEA 9-12	1734050140	9 - 12	12	34	
MSEAL 3-12	1734050150	3 - 12	12	28	

Product not available in Germany



Dimensions (mm)





FEATURES

- Suitable for a cable diameter range from 1,5 to 9 mm
- Shield grounding and strain relief functions with a unique device
- Easy and fast installation without tools
- Constant pressure on the cable braid without having to run tests and checks

The MSG shielding clamps enable the cable shield to be grounded easily and effectively. They secure additional strain relief with one cable tie.

The MSG shielding clamps can be used on TH15 DIN rails.

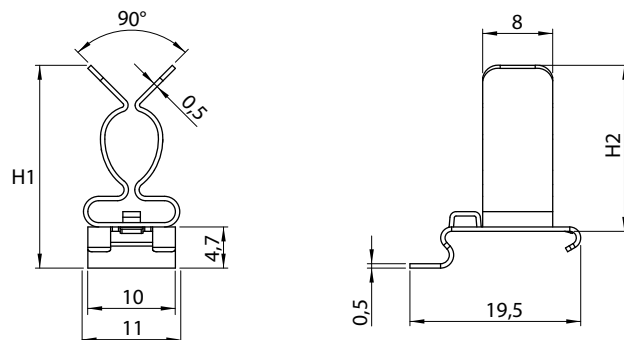
Material: spring steel, zinc plated



Model	Code	Clamping range (mm)	Dimensions (mm)		Pcs (/pack)
			H1	H2	
MSG 1.5-3	1734060110	1,5 - 3	18,3	14,1	50
MSG 3-6	1734060120	3 - 6	21	17	
MSG 7-9	1734060130	7 - 9	23,2	19	



Dimensions (mm)

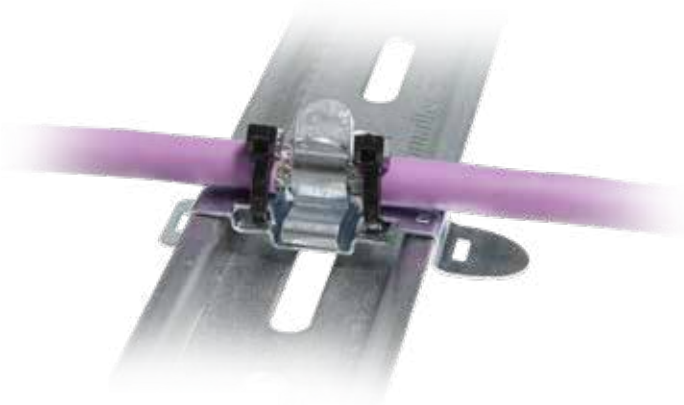




Shielding clamps for DIN TH35 rails

FEATURES

- Suitable for a cable diameter range from 1,5 to 22 mm
- Snap-in assembly, no need to use tools
- Double cable tie
- Shield grounding and strain relief functions with a single device
- Ideal adherence to cable shielding
- Constant pressure on the cable braid without having to run tests and checks



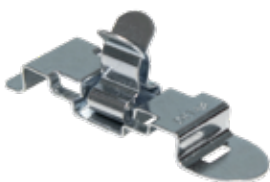
The MSD2 shielding clamps enable the cable shield to be grounded easily and effectively. They secure additional strain relief with two cable ties.

The strain relief function complies with EN 62444 standard.

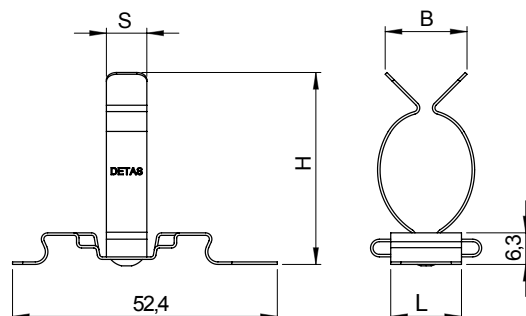
The MSD2 shielding clamps can be used on TH35 DIN rails.

Material: spring steel, zinc plated

Model	Code	Clamping range (mm)	Dimensions (mm)				Pcs (/pack)
			L	B	H	S	
MSD2 1.5-3	1734021010	1,5 - 3	14	11	15	8	50
MSD2 3-6	1734021020	3 - 6	14	11	17,5	8	
MSD2 7-9	1734021030	7 - 9	14	11	20	8	
MSD2 9-12	1734021040	9 - 12	14	12	23	8	
MSD2 11-17	1734021050	11 - 17	14	13,5	29	8	
MSD2 18-22	1734021060	18 - 22	14	22	38	8	
MSD2L 3-9	1734021080	3 - 9	14	16,5	22	8	
NEW MSD2L 3-12	1734021081	3 - 12	14	16,5	22	8	
MSD2L 10-19	1734021090	10 - 19	14	19,5	28,5	8	



Dimensions (mm)





MSD

Shielding clamps for DIN TH35 rails

FEATURES

- Suitable for a wide range of cable diameter from 22 to 74 mm
- Snap-in assembly, no need to use tools
- Available with two bases: 14 and 22 mm
- High vibration resistance
- Shield grounding and strain relief function with the same device
- Ideal contact to cable shielding
- Constant pressure on the cable braid without having to run tests and checks

The MSD shielding clamps enable the cable shield to be grounded easily and effectively. They secure additional strain relief with one cable tie.

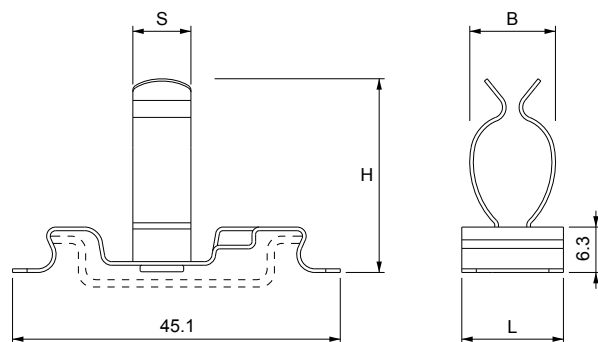
Material: spring steel, zinc plated



Model	Code	Clamping range (mm)	Dimensions (mm)				Pcs (/pack)
			L	B	H	S	
MSD 22-30	1734020070	22 - 30	22	22,5	45	12	10
MSD 30-37	1734020080	30 - 37	22	31	58	12	
MSD 38-48	1734020090	38 - 48	22	40	68,5	12	
MSD 50-60	1734021095	50-60	22	50	75	12	
MSD 62-74	1734021098	62-74	22	62	89	12	



Dimensions (mm)



FEATURES

- Suitable for a cable diameter range from 1,5 to 10 mm
- Snap-in assembly, no need to use tools
- Space savings compared to conventional models
- Shield grounding and strain relief function with the same device
- Ideal adherence to cable shielding
- Constant pressure on the cable braid without having to run tests and checks

The MSP/MSPC shield clamps enable the cable shield to be grounded easily and effectively. They secure additional strain relief with one cable tie. The strain relief function complies with EN 62444 standard.

The special shape allows side-by-side mounting on the TH35 DIN rails with a significant space saving in the cabinet.

Material: spring steel, zinc plated



Model	Code	Clamping range (mm)	Dimensions (mm)			Pcs (/pack)
			L	B	H	
MSP 1.5 - 3*	1734010410	1,5 - 3	52,4	20	15,5	50
MSP 1.5 - 3 V2	1734010411	1,5 - 3	52,4	20	16,5	
MSP 3 - 6*	1734010420	3 - 6	52,4	20	18	
MSPC 3 - 7	1734010421	3 - 7	52,4	24	24	
MSPC 6 - 10	1734010425	6 - 10	52,4	24	32	

* Not available in Germany



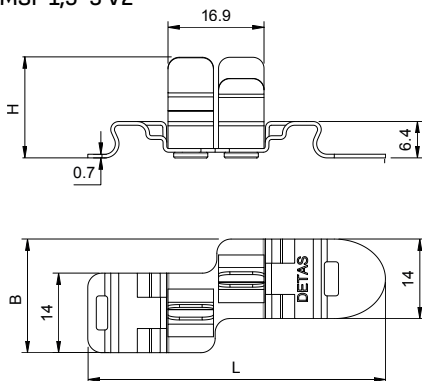
MSPC 3 - 7



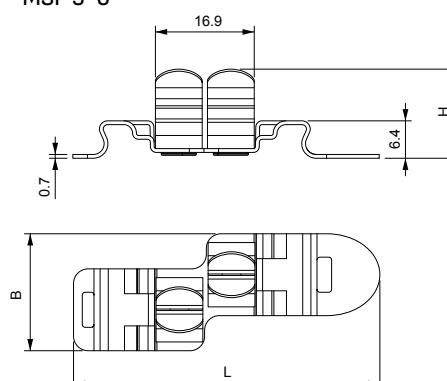
MSP 3 - 6

Dimensions (mm)

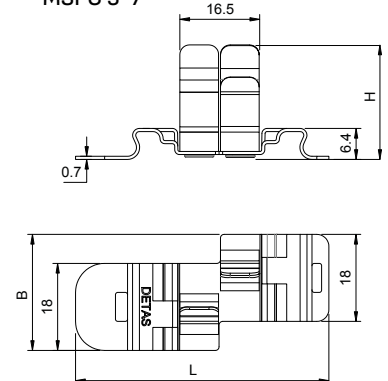
MSP 1,5-3 V2



MSP 3-6*



MSPC 3-7





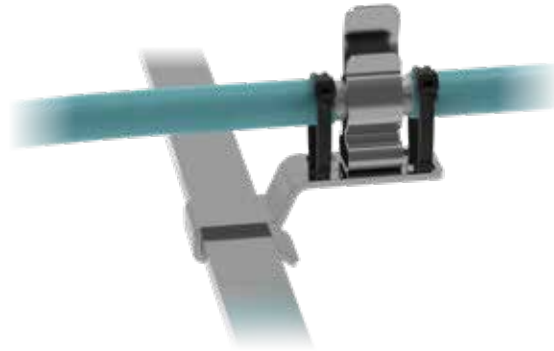
MSBS

Shielding clamps for 10x3 mm busbar

FEATURES

NEW

- Suitable for a cable diameter range from 1,5 to 22 mm
- Shield grounding and strain relief functions with a single device
- Double cable tie
- Snap-in assembly, no need to use tools
- Very compact design

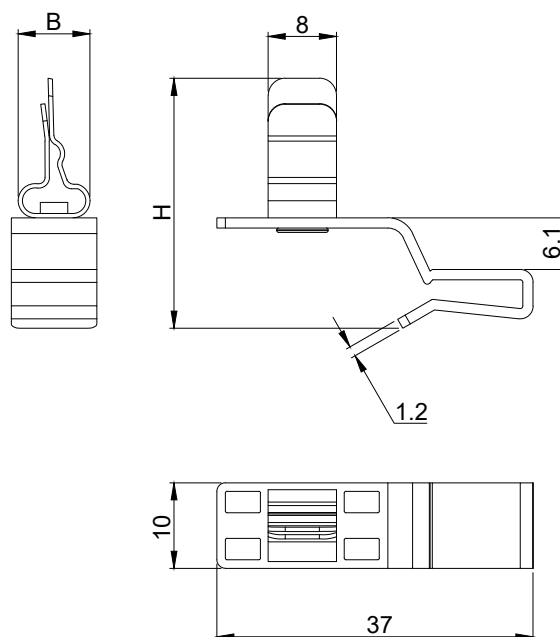


The MSBS shielding clamps enable the cable shield to be grounded easily and effectively. They secure the additional strain relief function with one or two cable ties. The shielding clamp can be installed on busbar 3x10 mm.

Material: spring steel, zinc plated

Model	Code	Clamping range (mm)	Dimensions (mm)		Pcs (/pack)
			B	H	
MSBS 1.5-3	1734040015	1,5 - 3	8,4	29,2	50
MSBS 3-6	1734040025	3 - 6	11	29,1	
MSBS 6-10	1734040035	6 - 10	8,6	37,7	
MSBS 9-12	1734040045	9 - 12	12	34,6	
MSBS 11-17	1734040055	11 - 17	14	40,2	
MSBS 18-22	1734040065	18 - 22	22	49,4	

Dimensions (mm)





Shielding clamps for 10x3 mm busbar

FEATURES

- Suitable for a cable diameter range from 1,5 to 22 mm
- Shield grounding and strain relief function with the same device
- Double cable tie
- Snap-in assembly, no need to use tools
- Constant pressure on the cable braid without having to run tests and checks



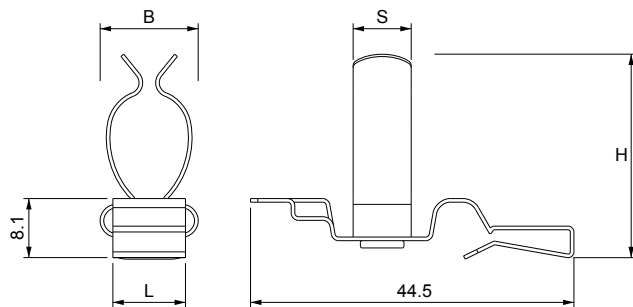
The MSB shielding clamps enable the cable shield to be grounded easily and effectively. They secure the additional strain relief function with two cable ties. The MSB shielding clamps can be used on 10x3 bars.

Material: spring steel, zinc plated

Model	Code	Clamping range (mm)	Dimensions (mm)				Pcs (/pack)
			L	B	H	S	
MSB 1.5-3	1734040010	1,5 - 3	10	11	15	8	50
MSB 3-6	1734040020	3 - 6	10	11	17	8	
MSB 7-9	1734040030	7 - 9	10	11	20	8	
MSB 9-12	1734040040	9 - 12	10	12	22	8	
MSB 11-17	1734040050	11 - 17	10	13,5	28	8	
MSB 18-22	1734040060	18 - 22	10	22	37	8	
MSBL 3-9	1734040080	3 - 9	10	16,5	23,5	8	
MSBL 10-19	1734040090	10 - 19	10	19,5	30	8	

Product not available in Germany

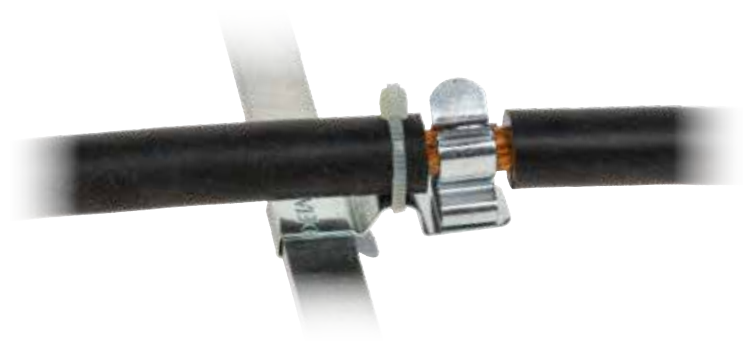
Dimensions (mm)





FEATURES

- Suitable for a cable diameter range from 1,5 to 22 mm
- Shield grounding and strain relief function with the same device
- Snap-in assembly, no need to use tools
- Constant pressure on the cable braid without having to run tests and checks



The MSR shielding clamps enable the cable shield to be grounded easily and effectively. They secure the additional strain relief function with one cable tie. The MSR shielding clamps can be used on 10x3 busbar.

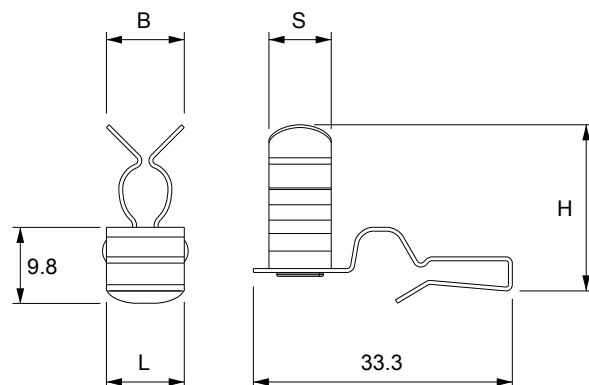
The strain relief function complies with EN 62444 standard.

Material: spring steel, zinc plated

Model	Code	Clamping range (mm)	Dimensions (mm)				Pcs (/pack)
			L	B	H	S	
MSR 1.5-3	1734040310	1,5 - 3	10	11	16,5	8	50
MSR 3-6	1734040320	3 - 6	10	11	19	8	
MSR 7-9	1734040330	7 - 9	10	11	21,5	8	
MSR 9-12	1734040340	9 - 12	10	12	24,5	8	
MSR 11-17	1734040350	11 - 17	10	13,5	30	8	
MSR 18-22	1734040360	18 - 22	10	22	39,5	8	
MSRL 3-12	1734040381	3 - 12	10	12	19	8	
MSRL 10-19	1734040390	10 - 19	10	10	30	8	



Dimensions (mm)



Shielding clamps for 10x3 mm busbar

FEATURES

- Suitable for a cable diameter range from 1,5 to 10 mm
- Shield grounding and strain relief functions in a single device
- Snap-in assembly, no need to use tools
- Constant pressure of the clamp on the cable braid without having to run tests and checks

The MSRP/MSRC shielding clamps allow to easily and effectively ground the cable shield and guarantee the strain relief function with a cable tie.

The special shape allows side-by-side mounting on a 10x3 mm busbar, allowing significant space savings on the cabinet.

Material: spring steel, zinc plated



MSRP 1.5-3 V2

Model	Code	Clamping range (mm)	Dimensions (mm) H	Pcs (/pack)
MSRP 1.5-3 V2	1734040111	1,5 - 3	16,5	50
MSRP 3-6*	1734040120	3 - 6	19,1	
MSRP 7-9*	1734040130	7 - 9	21,4	
MSRC 3-7	1734040121	3 - 7	27,2	
MSRC 6-10	1734040131	6 - 10	30	

* Not available in Germany



MSRP 3 - 6

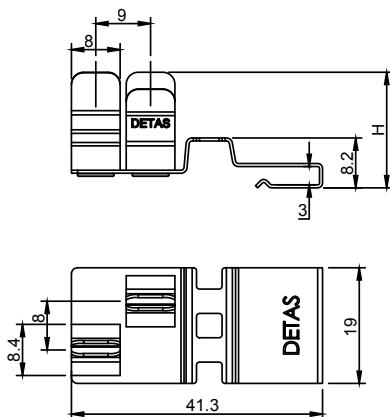


MSRC 3 - 7

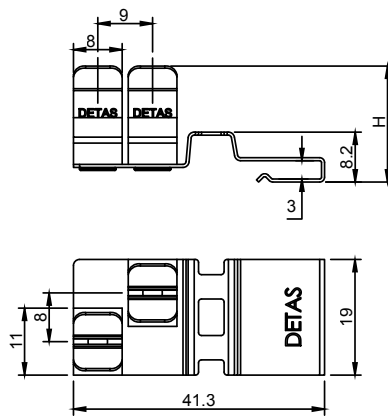


Dimensions (mm)

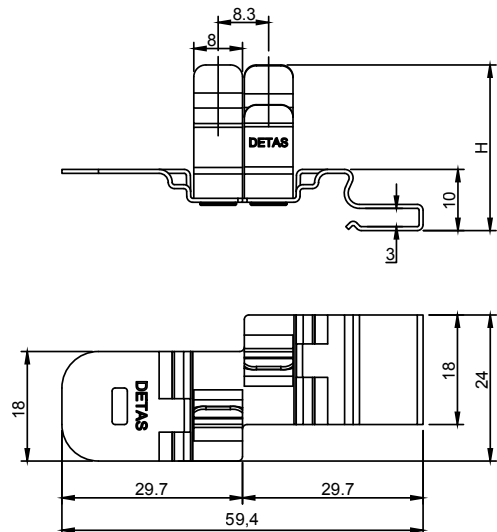
MSRP 1.5-3 V2



MSRP 3 - 6 / MSRP 7 - 9



MSRC 3 - 7 / MSRC 6 - 10





MSH

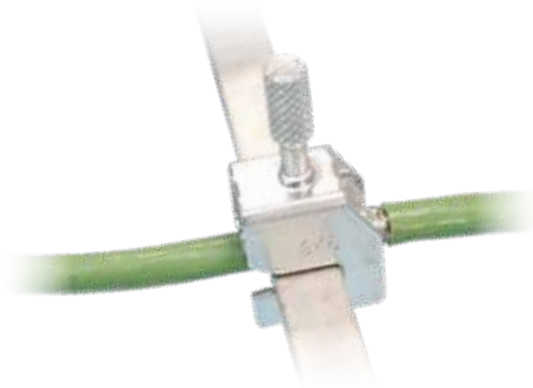
Shielding clamps for 10x3 mm busbar

FEATURES

- Suitable for a cable diameter range from 2 to 35 mm
- Installation on 10x3 busbar
- Snap-in assembly, no need to use tools
- Constant pressure on the cable braid without having to run tests and checks

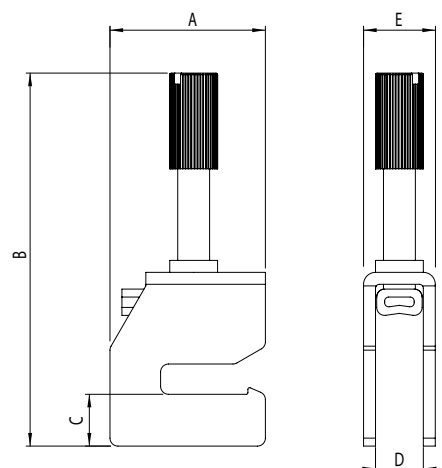
The MSH shield clamps enable the cable shield to be grounded easily and effectively. The MSH shielding clamps are used on 10x3 busbar and they are secured by tightening the screw which also provides strain relief function.

Material: spring steel, zinc plated



Model	Code	Clamping range (mm)	Dimensions (mm)					Pcs (/pack)
			A	B	C	D	E	
MSH 2-5	1734040405	2 - 5	19,5	47,5	6,5	6,5	9,4	10
MSH 3-8	1734040408	3 - 8	19,5	49,5	6,5	9	12,4	
MSH 3-14	1734040414	3 - 14	19,5	60,6	6,5	14	17,3	
MSH 3-20	1734040420	3 - 20	19,5	75	6,5	21	24	
MSH 20-35	1734040435	20 - 35	20	106,5	6,5	36	40	

Dimensions (mm)



MSK / MSK2



Shielding clamps for I/O Systems

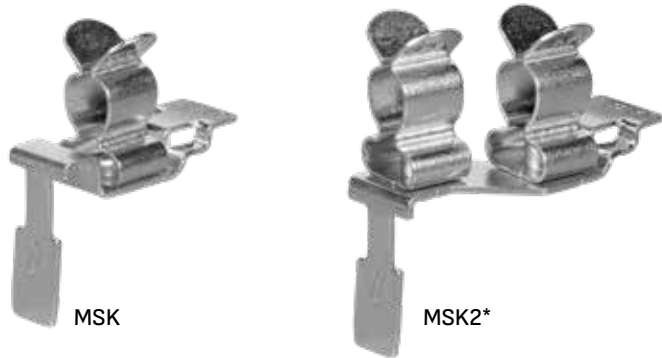
FEATURES

- Suitable for a cable diameter range from 1,5 to 9 mm, other sizes on request
- Shield grounding and strain relief functions in a single device
- For Siemens SIMATIC ET200SP distributed I/O systems
- Constant pressure of the clamp on the cable braid without having to run tests and checks

The MSK/MSK2 shielding clamps allow to easily and effectively ground the cable shield and guarantee the strain relief function with a cable tie.

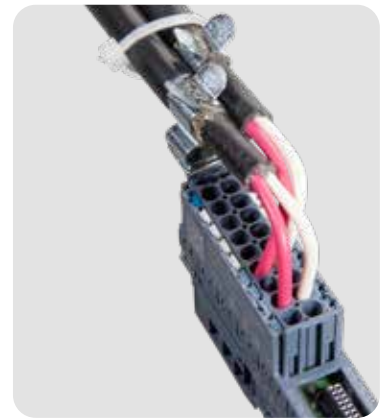
The special shape allows installation on Siemens SIMATIC ET200SP distributed I/O systems.

Material: spring steel, zinc plated

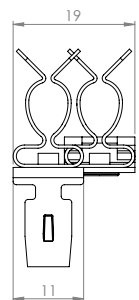
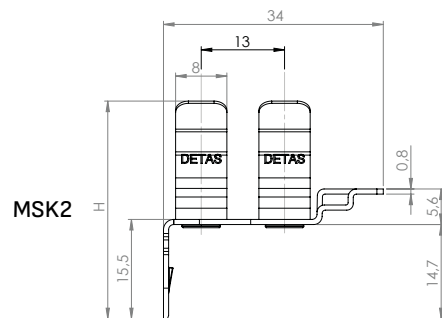
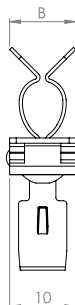
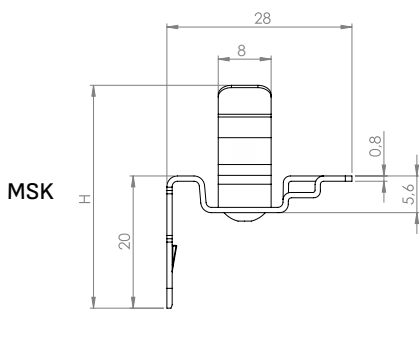


Model	Code	Clamping range (mm)	Dimensions (mm)		Pcs (/pack)
			B	H	
MSK 1.5-3	1734030210	1,5 - 3	8,4	28,8	50
MSK 3-6	1734030220	3 - 6	9,6	31,4	
MSK 7-9	1734030230	7 - 9	10	33,7	
MSK2 1.5-3*	1734030215	1,5 - 3	-	28,8	
MSK2 3-6*	1734030225	3 - 6	-	31,4	
MSK2 7-9*	1734030235	7 - 9	-	33,7	

* Not available in Germany



Dimensions (mm)





MSY / MSY2

Shielding clamps for I/O Systems

FEATURES

- Suitable for a cable diameter range from 1,5 to 9 mm, other sizes on request
- Shield grounding and strain relief functions in a single device
- For Siemens SIMATIC ET200S distributed I/O systems
- Constant pressure of the clamp on the cable braid without having to run tests and checks

The MSY/MSY2 shielding clamps allow to easily and effectively earthing the cable shielding and guarantee the strain relief function with a cable tie.

The special shape allows installation on Siemens SIMATIC ET200S distributed I/O systems.

Material: spring steel, zinc plated



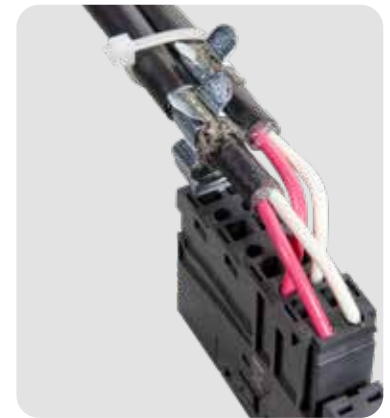
MSY



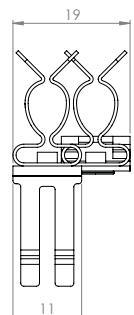
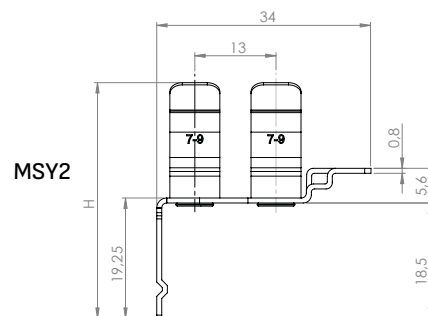
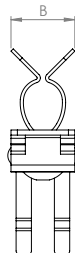
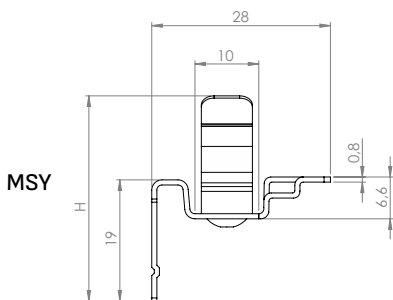
MSY2*

Model	Code	Clamping range (mm)	Dimensions (mm)		Pcs (/pack)
			B	H	
MSY 1.5-3	1734030240	1,5 - 3	8,4	27,3	50
MSY 3-6	1734030250	3 - 6	9,6	29,9	
MSY 7-9	1734030260	7 - 9	10	32,2	
MSY2 1.5-3*	1734030245	1,5 - 3	-	27,3	
MSY2 3-6*	1734030255	3 - 6	-	29,9	
MSY2 7-9*	1734030265	7 - 9	-	32,2	

* Not available in Germany



Dimensions (mm)





Shielding clamp for C 30 mm rail

FEATURES

- Suitable for a wide range of cable diameter from 6 to 42 mm
- Installation on C rail 30 mm
- Snap-in assembly with tightening nut
- Cost effective

The MST shield clamps enable the cable shield to be grounded easily and effectively. The MST shield clamps are used on the C 30 mm rail and they are secured by tightening the screw which also ensures the strain relief function.

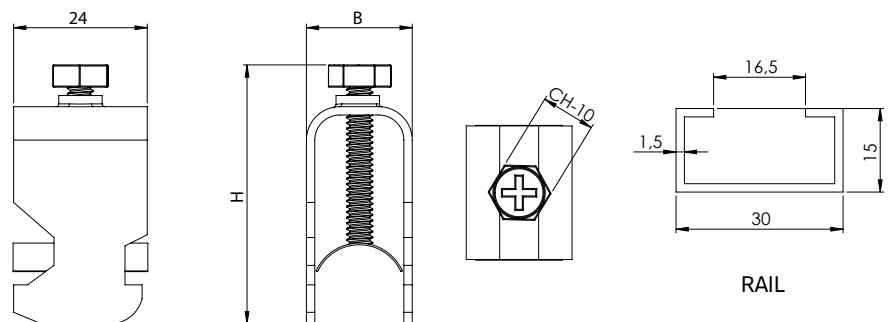
Material: zinc plated steel



Model	Code	Clamping range (mm)	Dimensions (mm)		Pcs (/pack)
			B	H	
MST 6-12	1734040512	6 - 12	21	70	10
MST 12-18	1734040518	12 - 18	23	70	
MST 18-22	1734040522	18 - 22	27	70	
MST 22-30	1734040530	22 - 30	39	85	
MST 30-38	1734040538	30 - 38	45	90	
MST 38-42	1734040542	38 - 42	47	95	



Dimensions (mm)





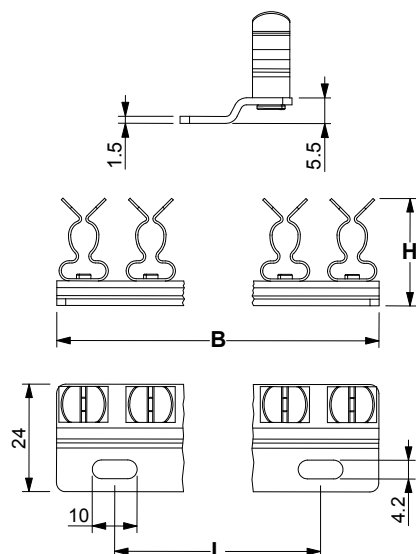
FEATURES

- Suitable for a cable diameter range from 1,5 to 12 mm
- Snap-in assembly, no need to use tools
- Constant pressure on the cable braid without having to run tests and checks
- Saving installation time and money

The multiple EMC shielding clamps speed up installation and reduce the space needed instead of using a multitude of single clamps. The base of the clips is fixed with two M4 screws. Custom solutions are welcome.

Material: SS304 stainless steel (base), spring steel, zinc plated (clips)

Dimensions (mm)



Model	Code	Nr. Cables	Clamping range (mm)	Dimensions (mm)			Pcs (/pack)
				B	L	H	
MSU 3x 1,5-3	1734030310	3	1,5 - 3	46	30	19,1	1
MSU 3x 3-6	1734030320	3	3 - 6	46	30	21,6	
MSU 3x 7-9	1734030330	3	7 - 9	46	30	24,0	
MSU 3x 9-12	1734030340	3	9 - 12	46	30	27,2	
MSU 4x 1,5-3	1734030410	4	1,5 - 3	61	30	19,1	
MSU 4x 3-6	1734030420	4	3 - 6	61	30	21,6	
MSU 4x 7-9	1734030430	4	7 - 9	61	30	24,0	
MSU 4x 9-12	1734030440	4	9 - 12	61	30	27,2	
MSU 5x 1,5-3	1734030510	5	1,5 - 3	72	46	19,1	
MSU 5x 3-6	1734030520	5	3 - 6	72	46	21,6	
MSU 5x 7-9	1734030530	5	7 - 9	72	46	24,0	
MSU 5x 9-12	1734030540	5	9 - 12	72	46	27,2	
MSU 6x 1,5-3	1734030610	6	1,5 - 3	88	62	19,1	
MSU 6x 3-6	1734030620	6	3 - 6	88	62	21,6	
MSU 6x 7-9	1734030630	6	7 - 9	88	62	24,0	
MSU 6x 9-12	1734030640	6	9 - 12	88	62	27,2	
MSU 7x 1,5-3	1734030710	7	1,5 - 3	104	78	19,1	
MSU 7x 3-6	1734030720	7	3 - 6	104	78	21,6	
MSU 7x 7-9	1734030730	7	7 - 9	104	78	24,0	
MSU 7x 9-12	1734030740	7	9 - 12	104	78	27,2	
MSU 8x 1,5-3	1734030810	8	1,5 - 3	120	94	19,1	
MSU 8x 3-6	1734030820	8	3 - 6	120	94	21,6	
MSU 8x 7-9	1734030830	8	7 - 9	120	94	24,0	
MSU 8x 9-12	1734030840	8	9 - 12	120	94	27,2	
MSU 9x 1,5-3	1734030910	9	1,5 - 3	140	116	19,1	
MSU 9x 3-6	1734030920	9	3 - 6	140	116	21,6	
MSU 9x 7-9	1734030930	9	7 - 9	140	116	24,0	
MSU 9x 9-12	1734030940	9	9 - 12	140	116	27,2	
MSU 10x 1,5-3	1734031010	10	1,5 - 3	150	126	19,1	
MSU 10x 3-6	1734031020	10	3 - 6	150	126	21,6	
MSU 10x 7-9	1734031030	10	7 - 9	150	126	24,0	
MSU 10x 9-12	1734031040	10	9 - 12	150	126	27,2	
MSU 11x 1,5-3	1734031110	11	1,5 - 3	166	140	19,1	
MSU 11x 3-6	1734031120	11	3 - 6	166	140	21,6	
MSU 11x 7-9	1734031130	11	7 - 9	166	140	24,0	
MSU 11x 9-12	1734031140	11	9 - 12	166	140	27,2	
MSU 12x 1,5-3	1734031210	12	1,5 - 3	172	156	19,1	
MSU 12x 3-6	1734031220	12	3 - 6	172	156	21,6	
MSU 12x 7-9	1734031230	12	7 - 9	172	156	24,0	
MSU 12x 9-12	1734031240	12	9 - 12	172	156	27,2	



Spring shielding clamps

FEATURES

- Suitable for a cable diameter range from 2 to 32 mm
- MSFD: version with base for TH35 DIN rail
- Constant pressure on the cable braid without having to run tests and checks

The MSF/MSFD shielding clamps enable the cable shield to be grounded easily and effectively. They secure the strain relief function thanks to the spring which maintains constant pressure on the cable braid.

Material: steel with electrolytic nickel plating

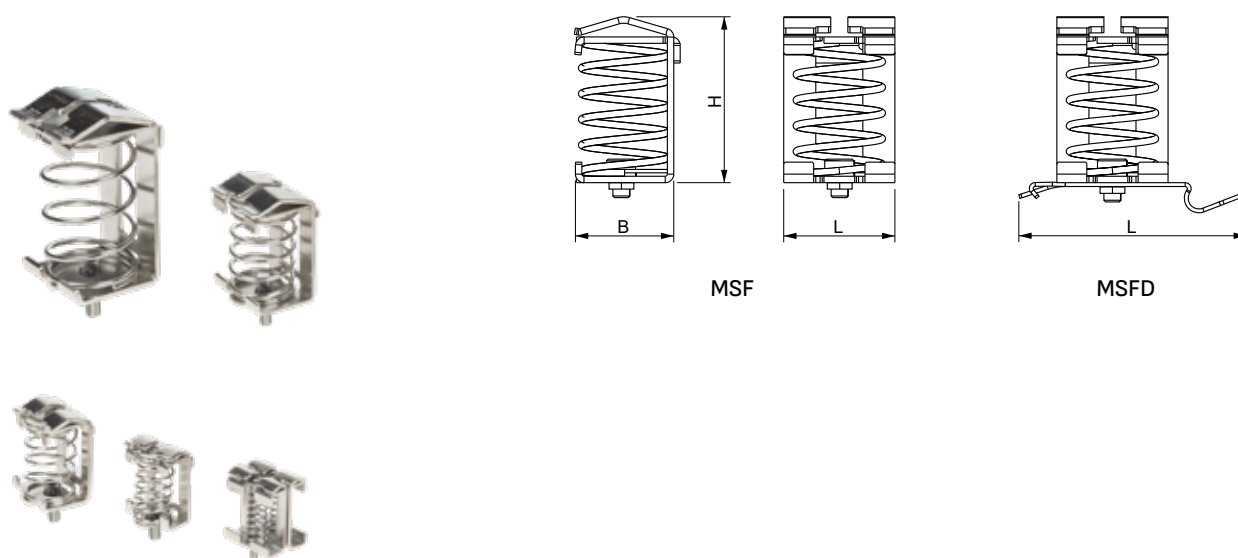


MSF

MSFD

Model	Code	Clamping range (mm)	Dimensions (mm)			Pcs (/pack)
			H	L	B	
MSF 2x2-6	1734020300	2x 2 - 6	23,1	18	16	10
MSF 3-8	1734020305	3 - 8	25,5	18,0	11,0	
MSFD 3-8	1734020310	3 - 8	26,0	50,0	14,5	
MSF 4-13,5	1734020315	4 - 13,5	30,0	18,0	15,0	
MSFD 4-13,5	1734020320	4 - 13,5	30,0	50,5	20,5	
MSF 10-20	1734020325	10 - 20	40,0	26,0	25,0	
MSFD 10-20	1734020330	10 - 20	40,0	50,5	25,0	
MSF 15-32	1734020335	15 - 32	64,0	32,0	36,0	
MSFD 15-32	1734020340	15 - 32	64,0	50,5	34,5	

Dimensions (mm)



MSF

MSFD



MSFC / MSFE

Spring shielding clamps



MSFC



MSFE

FEATURES

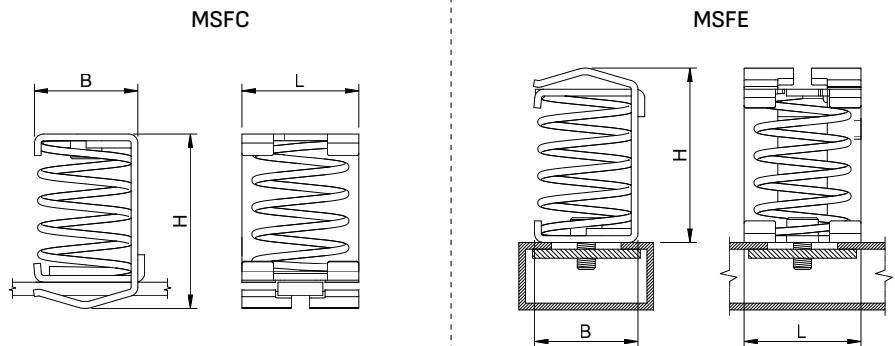
- Suitable for a cable diameter range from 2 to 32 mm
- MSFC: version with base for 3X10 rail
- MSFE: version with base for C 30 rail
- Constant pressure on the cable braid without having to run tests and checks

The MSFC/MSFE shielding clamps enable the cable shield to be grounded easily and effectively. They secure the strain relief function thanks to the spring which maintains constant pressure on the cable braid.

Material: steel with electrolytic nickel plating

Model	Code	Clamping range (mm)	Dimensions (mm)			Pcs (/pack)
			H	L	B	
MSFC 2x2-6	1734040705	2x 2 - 6	24	15	18	10
MSFC 3-8	1734040710	3 - 8	26	13	18	
MSFC 4-13,5	1734040715	4 - 13,5	31,5	20	20,5	
MSFC 10-20	1734040720	10 - 20	40	25	26	
MSFC 15-32	1734040725	15 - 32	63,9	36	32	
MSFE 3-8	1734040810	3 - 8	26	10,3	18	
MSFE 4-13,5	1734040815	4 - 13,5	31,1	18,1	20,2	
MSFE 10-20	1734040820	10 - 20	39,5	23,5	26,1	
MSFE 15-32	1734040825	15 - 32	62,5	36	32,1	

Dimensions (mm)





Shielding clamps for PCB

FEATURES

- Suitable for a cable diameter range from 1,5 to 9 mm
- Direct mounting on PCB
- Constant pressure on the cable braid without having to run tests and checks

The MSC shielding clamps enable the cable shield to be grounded easily and effectively. The MSC shielding clamps are fixed and soldered directly on the PCB.

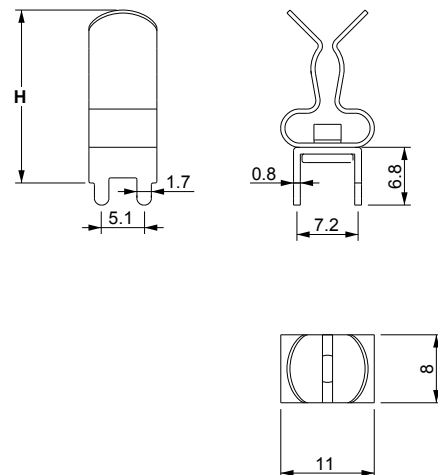
Material: spring steel, zinc plated, base in tinned brass



Model	Code	Clamping range (mm)	Clamp dimensions H (mm)	Pz (x conf.)
MSC 1.5-3	1734060001	1,5 - 3	18	50
MSC 3-6	1734060003	3 - 6	20,5	
MSC 7-9	1734060006	7 - 9	23	



Dimensions (mm)





FEATURES

- Direct installation on DES frames
- Effective grounding of the cable shield with integrated strain relief using busbar clamps
- Quick installation

The brackets of the EMCS series can be installed on the DES, DES M, DES CLiCK frames for shielding the cables using the MSB, MSR, MSRP, MSBS or MSH clips.

Material: Stainless steel SS 304

RELATED PRODUCTS

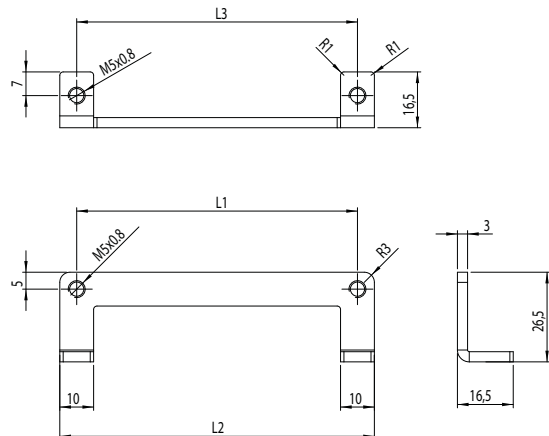
- DES Q
- DES 10
- DES 16
- DES 24
- DES 16M
- DES 24M
- DES L series
- DES LC series
- DES Q CLICK
- DES 10 CLICK
- DES 16 CLICK
- DES 24 CLICK



Model	Code	Dimensions (mm)			Pcs (/pack)
		L1	L2	L3	
EMCS24	1734090124	130	140	130	1
EMCS16	1734090116	103	113	103	
EMCS10	1734090110	83	93	83	
EMCSQ	1734090108	58	68	58	



Dimensions (mm)





EMC bracket with strain relief for OSF family

FEATURES

- Stainless steel bracket for the grounding of the cable shield
- Quick installation on OSF/DESCCLICK/DESPRED divisible cable glands
- Cable strain relief with cable tie

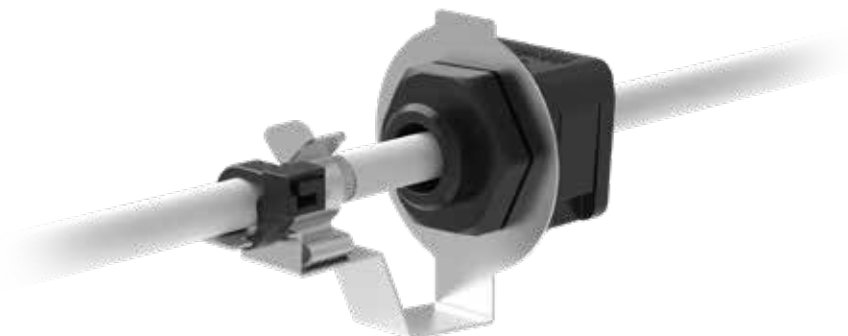
OSF EMC brackets are used to ground and guarantee strain relief of shielded cables used with OSF series.

Four models are available for the corresponding metric openings M16, M20, M25, and M32 each with two models of shielding clamps from 1.5 to 6 mm. Brackets for other diameters can be provided on request.

Material: Stainless steel SS304

RELATED PRODUCTS

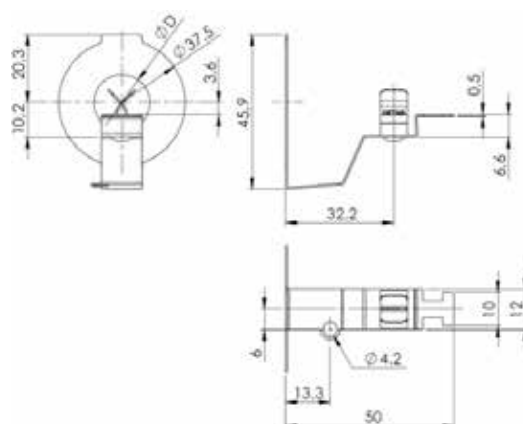
- OSF
- OSF 90
- DESCCLICK
- DESPRED



Model	Code	Clamping range (mm)	Ø D (mm)	Pcs (/pack)
OSF EMC 16-1,5-3	1734052316	1,5 - 3	16,5	10
OSF EMC 16-3-6	1734052317	3 - 6	16,5	
OSF EMC 20-1,5-3	1734052320	1,5 - 3	20,5	
OSF EMC 20-3-6	1734052321	3 - 6	20,5	
OSF EMC 25-1,5-3	1734052325	1,5 - 3	25,5	
OSF EMC 25-3-6	1734052326	3 - 6	25,5	
OSF EMC 32 -1,5-3	1734052332	1,5 - 3	32,5	
OSF EMC 32-3-6	1734052333	3 - 6	32,5	

Other models upon request

Dimensions (mm)





FEATURES

NEW

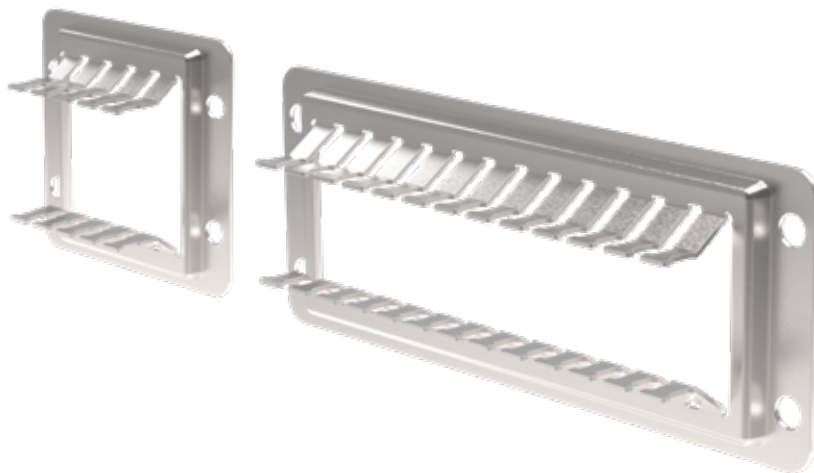
- Direct installation on DES frames or plates
- Effective grounding of the cable shield with integrated strain relief
- Quick installation

The brackets of the EMCZ series can be installed on all DES and DES PDM 24 and PDM Q models. With the same device, it is possible to ground the cable shield and achieve the strain relief function with cable ties.

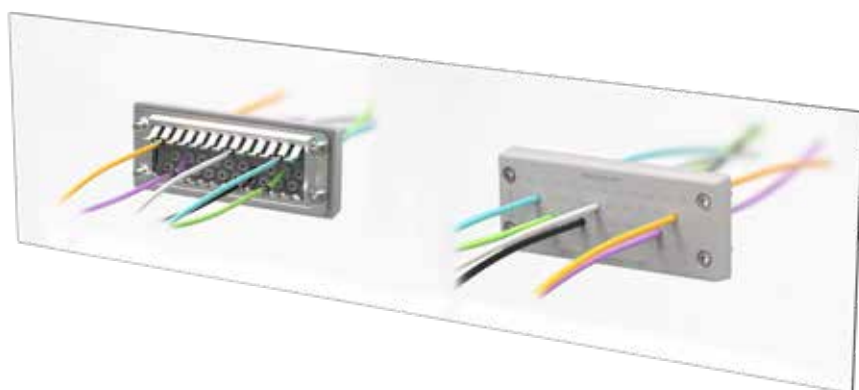
Material: Stainless steel SS304

RELATED PRODUCTS

- DES 24
- DES 24 CLICK
- DES 24M
- DES Q
- DES Q CLICK
- PDM 24
- PDM Q

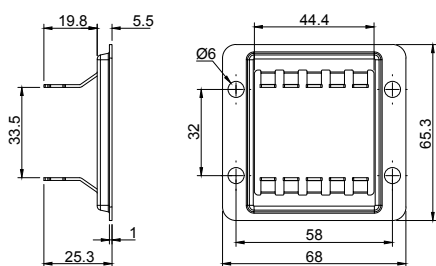


Model	Code	Pcs (/pack)
EMCZ-24	1734090134	1
EMCZ-Q	1734090130	

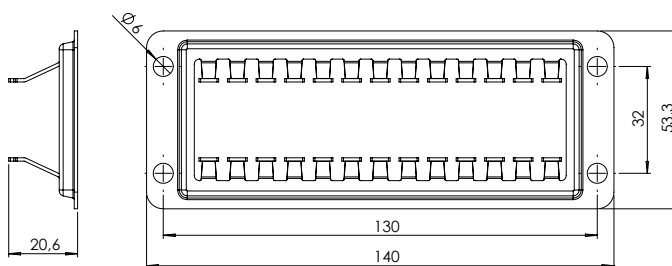


Dimensions (mm)

EMCZ-Q



EMCZ-24





EMC and strain relief brackets for splittable cable glands and DES PDM M

FEATURES

NEW

- Direct installation on the threaded body
- Effective grounding of the cable shield with integrated strain relief
- Quick installation

The brackets of the EMCZ M series can be installed on DESPRED 63, DES PDM M40, DES PDM M50 and DES PDM M63. With the same device, it is possible to ground the cable shielding and achieve the strain relief function with cable ties.

Material: Cold-rolled low carbon steel

RELATED PRODUCTS

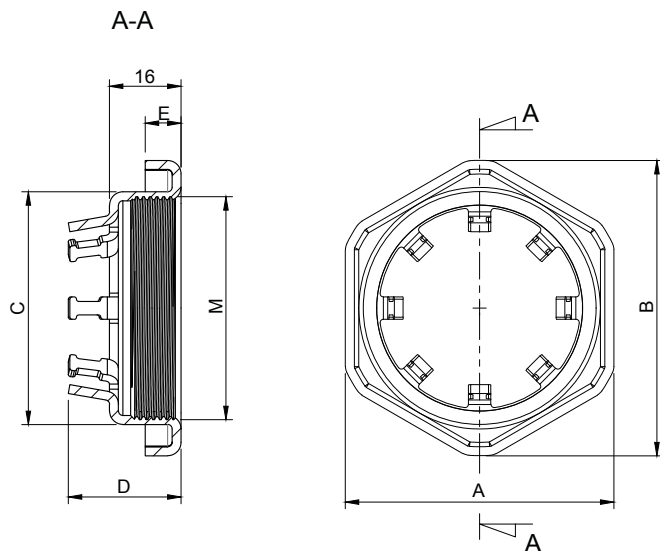
- DES PDM M
- DESPRED
- OSF
- DESCLICK



Model	Code	M	Dimensions (mm)					Pcs (/pack)
			A	B	C	D	E	
EMCZ-M40	1734090140	40	49	55,7	41,6	24,4	9,5	1
EMCZ-M50	1734090150	50	60	66	52	25,2	8	
EMCZ-M63	1734090163	63	75	83	65	28,6	8	



Dimensions (mm)





MB

35 mm DIN RAIL bases

FEATURES

- Steel DIN Rail bases
- Quick installation with rivets
- Strong and secure fixing

The MB DIN rail bases are used for quick installation of any kind of device on the TS35 DIN rail. The fixing is made with rivets. Two models are available depending on the size of the device that needs to be fixed to the base.

Material: spring steel, zinc plated

RELATED PRODUCTS

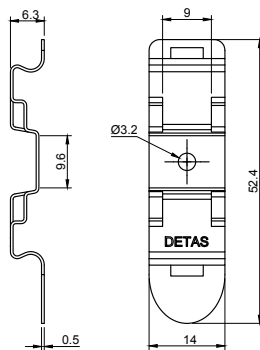
- MSS shield clamps
- MSS2 shield clamps
- MSL shield clamps
- MSS3 shield clamps



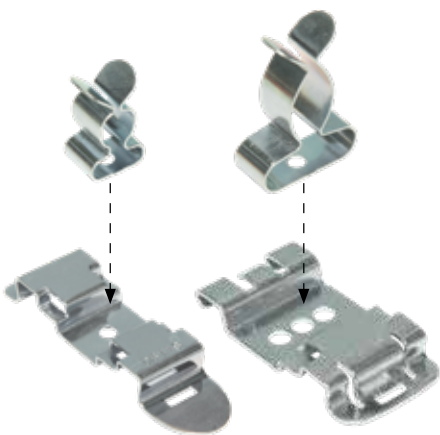
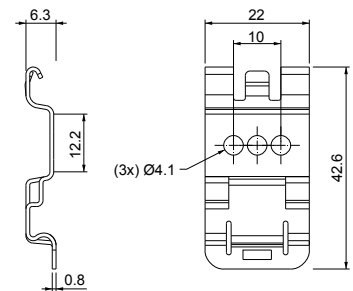
Model	Code	Dimensions (mm)			Pcs (/pack)
		B	H	S	
MB14V2	1734000151	14	52,4	6,2	50
MB22	1734000100	22	42,6	6,3	

Dimensions (mm)

MB14V2



MB22





Shielding clamp samples box

FEATURES

- 163 shielding clamps
- Wide choice of DetasUltra clamps
- Price savings compared to separate purchase of each part

Practical box containing 163 shielding clamps with various dimensions and fixing methods.

Thanks to the wide choice it is possible to select the most suitable model for the specific application.



Model	Code	Dimensions (mm)	Pcs (/pack)
ENGINEERING BOX EMC	1734090100	370 x 300 x 90	1

Box content

Model	Pcs	Model	Pcs	Model	Pcs
MB14V2	10	MSS 38-48	4	MSBL 3-9	10
MB22	10	MSD 22-30	3	MSBL 10-19	10
MSL 3-9	20	MSD 30-37	3	MSAL 3-9	10
MSL 10-19	20	MSD 38-48	3	MSAL 10-19	10
MSS 22-30	5	MSD2L 3-9	10	MSEL 3-9	10
MSS 30-37	5	MSD2L 10-19	10	MSEL 10-19	10



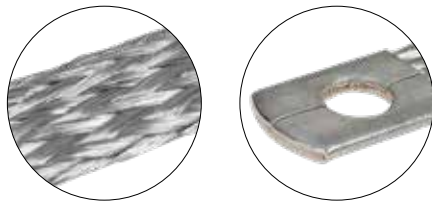
FEATURES

- Sections from 6 to 25 mm²
- Custom solutions available
- Sections up to 95 mm² on request
- Rounded terminals

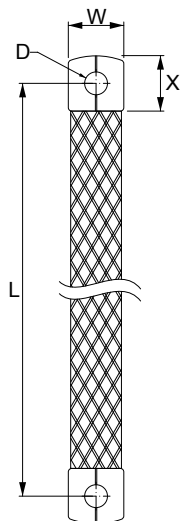
The CTX flexible earthing braids are made of tinned copper.

Pure Cu-ETP - ASTM C11000 copper enables an excellent ground connection.

Material: tinned copper >99,95%



Dimensions (mm)



Model	Code	Section (mm ²)	Dimensions (mm)			
			L	W	X	D
CTX-6/200/M6	1734080010	6	200	11	13	7
CTX-6/250/M6	1734080015	6	250	11	13	7
CTX-6/300/M6	1734080020	6	300	11	13	7
CTX-6/400/M6	1734080025	6	400	11	13	7
CTX-6/500/M6	1734080030	6	500	11	13	7
CTX-10/100/M6	1734080035	10	100	17	23	7
CTX-10/100/M8	1734080040	10	100	17	23	9
CTX-10/150/M8	1734080045	10	150	17	23	9
CTX-10/200/M6	1734080050	10	200	17	23	7
CTX-10/200/M8	1734080055	10	200	17	23	9
CTX-10/250/M6	1734080060	10	250	17	23	7
CTX-10/300/M6	1734080065	10	300	17	23	7
CTX-10/300/M8	1734080070	10	300	17	23	9
CTX-10/400/M6	1734080075	10	400	17	23	7
CTX-10/400/M8	1734080080	10	400	17	23	9
CTX-10/500/M6	1734080085	10	500	17	23	7
CTX-16/100/M6	1734080090	16	100	17	23	7
CTX-16/100/M8	1734080095	16	100	17	23	9
CTX-16/150/M6	1734080100	16	150	17	23	7
CTX-16/150/M8	1734080105	16	150	17	23	9
CTX-16/200/M6	1734080110	16	200	17	23	7
CTX-16/200/M8	1734080115	16	200	17	23	9
CTX-16/250/M8	1734080120	16	250	17	23	9
CTX-16/300/M6	1734080125	16	300	17	23	7
CTX-16/300/M8	1734080130	16	300	17	23	9
CTX-16/350/M8	1734080135	16	350	17	23	9
CTX-16/400/M8	1734080140	16	400	17	23	9
CTX-16/500/M8	1734080145	16	500	17	23	9
CTX-16/600/M8	1734080150	16	600	17	23	9
CTX-25/100/M10	1734080155	25	100	23	23	11
CTX-25/150/M10	1734080160	25	150	23	23	11
CTX-25/200/M8	1734080165	25	200	23	23	9
CTX-25/200/M10	1734080170	25	200	23	23	11
CTX-25/250/M8	1734080175	25	250	23	23	9
CTX-25/300/M8	1734080180	25	300	23	23	9
CTX-25/300/M10	1734080185	25	300	23	23	11
CTX-25/350/M10	1734080190	25	350	23	23	11
CTX-25/400/M8	1734080195	25	400	23	23	9
CTX-25/500/M8	1734080200	25	500	23	23	9
CTX-25/600/M8	1734080205	25	600	23	23	9



FEATURES

- Multiple configurations with small and large grommets
- Large conductive area in contact with the cable (21 mm)
- Excellent cable grip thanks to the multi-range grommets
- Frame screws in AISI304 Stainless Steel
- Sturdy construction IK10
- High levels of EMI shielding
- Anti-static protection
- Threaded inserts version on request



The DES EMC splittable frames are used when it is necessary to ground shielded cables in fast and efficient way.

The frames are treated with a special conductive copper paint coated in silver while the grommets are produced with TPE with added conductive material. Thanks to the mechanical connection to the panel made by the fixing screws, the cable braid is efficiently grounded without generating further disturbances often created by the external metal brackets that become antennas.

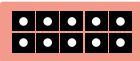
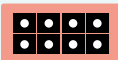
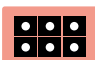





Material: PP+GF with Silver coated copper conductive coating, halogens and silicones free

Flammability: self-extinguishing acc. UL94-V0

Temperature: -40°C... +100°C (static)

RELATED PRODUCTS

- SPG EMC grommets (pag 156)
- SPP EMC grommets (pag 156)
- DES Cover (page 28)
- HY360 hydraulic punch driver (page 162)
- PF cable entry system plates (page 164)

Model	Code	Dimensions (mm)	Max. cut-out (mm)	Pcs (/pack)
DES 24 EMC	1734014024	 146 x 61	112 x 36	10
DES 16 EMC	1734014016	 120 x 61	86 x 36	
DES 10 EMC	1734014010	 99 x 61	63 x 36	
DES Q EMC	1734014008	 74 x 61	40 x 36	
DES L2 EMC	1734014002	 74 x 41	40 x 18	
DES L3 EMC	1734014003	 99 x 41	63 x 18	
DES L4 EMC	1734014004	 120 x 41	86 x 18	
DES L5 EMC	1734014005	 146 x 41	112 x 18	



SPP / SPG EMC



EMI/EMC small and large grommets



FEATURES

- Conductive grommets for cables from 2 to 35 mm diameter
- Single hole, multi-range, double and quadruple
- "Blind" version available
- UL94-HB
- Black color

The EMC grommets allow several shielded cables from 2 to 35 mm diameter to be routed in the DES EMC splittable frames.

The contact between the cable braid and the grommet is secured thanks to the grommet thickness.

The EMC grommets simplify the cable shielding application and conductive element adhesion.

Material: TPE with conductive element, halogens and silicones free

Flammability: acc. UL94-HB

Temperature: -40°C... +100°C (static)

RELATED PRODUCTS

- DES EMC

Model	Code	Ø Cable (mm)	Pcs (/pack)
-------	------	--------------	-------------



SPP 0 EMC	1734024100	"Blind"	10
SPP 2 EMC	1734024102	2-3	
SPP R1	1734024140	3-6	
SPP R2	1734024142	6-9	
SPP R3	1734024144	9-12	
SPP R4	1734024146	12-15	
SPP 16 EMC	1734024116	16-17	



SPP 2x2 EMC	1734024304	2 x 2	10
SPP 2x3 EMC	1734024306	2 x 3	
SPP 2x4 EMC	1734024308	2 x 4	
SPP 2x5 EMC	1734024310	2 x 5	
SPP 2x6 EMC	1734024312	2 x 6	
SPP 2x7 EMC	1734024314	2 x 7	
SPP 2x8 EMC	1734024316	2 x 8	



SPP 4x2 EMC	1734024318	4 x 2	10
SPP 4x3 EMC	1734024320	4 x 3	
SPP 4x4 EMC	1734024322	4 x 4	
SPP 4x5 EMC	1734024324	4 x 5	
SPP 4x6 EMC	1734024326	4 x 6	

Model	Code	Ø Cable (mm)	Pcs (/pack)
-------	------	--------------	-------------



SPG 0 EMC	1734024000	"Blind"	10
SPG 17 EMC	1734024117	17-18	
SPG 18 EMC	1734024118	18-19	
SPG 19 EMC	1734024119	19-20	
SPG 20 EMC	1734024120	20-21	
SPG 21 EMC	1734024121	21-22	
SPG 22 EMC	1734024122	22-23	
SPG 23 EMC	1734024123	23-24	
SPG 24 EMC	1734024124	24-25	
SPG 25 EMC	1734024125	25-26	
SPG 26 EMC	1734024126	26-27	
SPG 27 EMC	1734024127	27-28	
SPG 28 EMC	1734024128	28-29	
SPG 29 EMC	1734024129	29-30	
SPG 30 EMC	1734024130	30-31	
SPG 31 EMC	1734024131	31-32	
SPG 32 EMC	1734024132	32-33	
SPG 33 EMC	1734024133	33-34	
SPG 34 EMC	1734024134	34-35	

up to
IP66

NEMA 12

 **UL94-HB**

 **UV ISO 4892-2A**

RoHS COMPLIANT



ERGATE Automation s.r.o.
Kliny 35, 61500 Brno
tel.: +420 548 140 001
office@ergate.eu
www.ergate.eu

